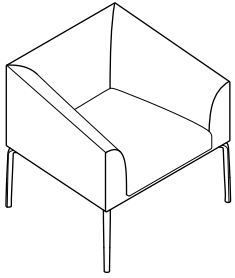
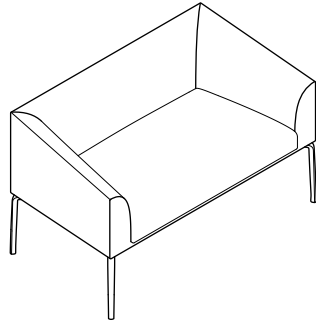


ALIAS SOFT SEATING



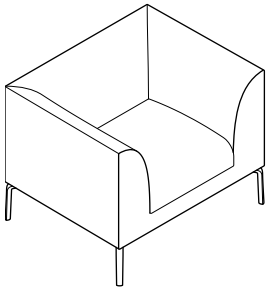
AS1MB

L: 700
P: 600
HT: 700
HS: 410
HB: 590



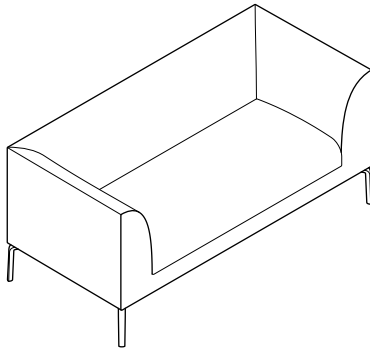
AS2MB

L: 1200
P: 600
HT: 700
HS: 410
HB: 590



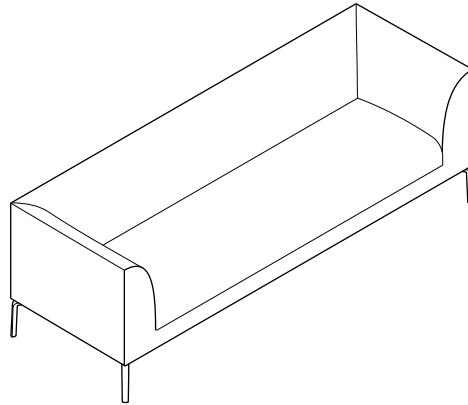
AS10B

L: 840
P: 680
HT: 680
HS: 430
HB: 680



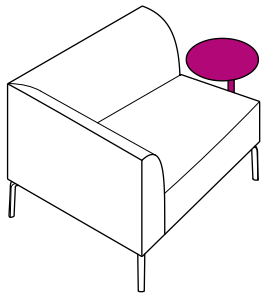
AS20B

L: 1450
P: 680
HT: 680
HS: 430
HB: 680



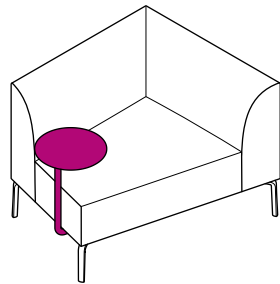
AS30B

L: 2030
P: 680
HT: 680
HS: 430
HB: 680



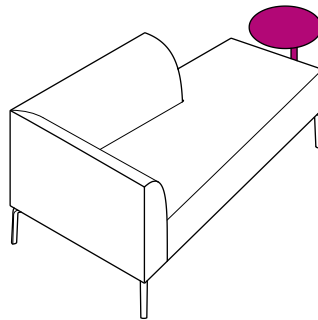
AS1DB + ATR

L: 965
P: 800
HT: 670
HS: 390
HB: 670
Ø: 320



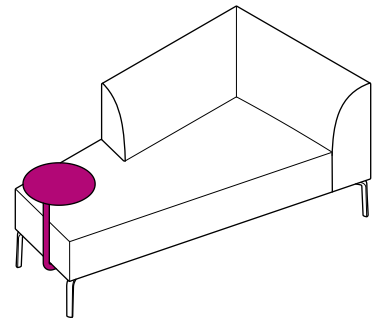
AS1SB + ATR

L: 965
P: 800
HT: 670
HS: 390
HB: 670
Ø: 320



AS2DB + ATR

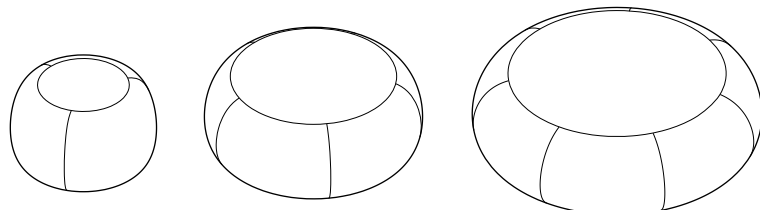
L: 1450
P: 800
HT: 670
HS: 390
HB: 670
Ø: 320



AS2SB + ATR

L: 1450
P: 800
HT: 670
HS: 390
HB: 670
Ø: 320

**POUF
OTTOMAN**



PM06F

Ø: 600
HT: 410

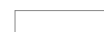
PM09F

Ø: 900
HT: 410

PM12F

Ø: 1200
HT: 410

**FINITURE GAMBE
LEGS FINISHES**



RAL 9016
Alluminio
Aluminium



RAL 9017
Alluminio
Aluminium



RAL 1019
Alluminio
Aluminium

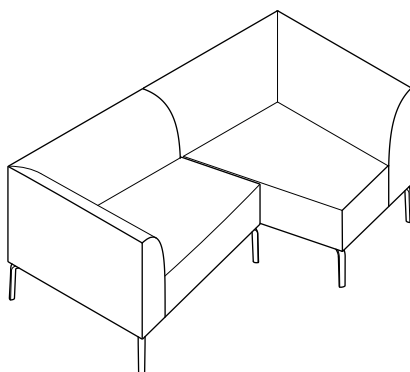


Faggio
Beechwood



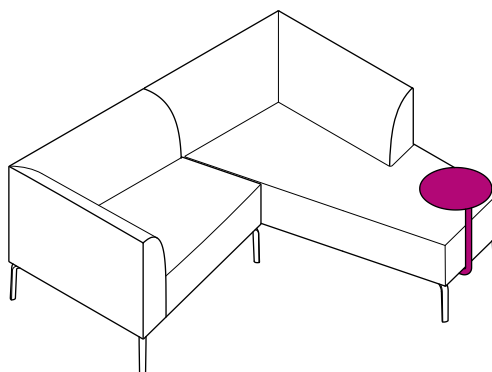
Alluminio lucido
Polished Aluminium

**ESEMPI DI CONFIGURAZIONE
SET UP EXAMPLES**



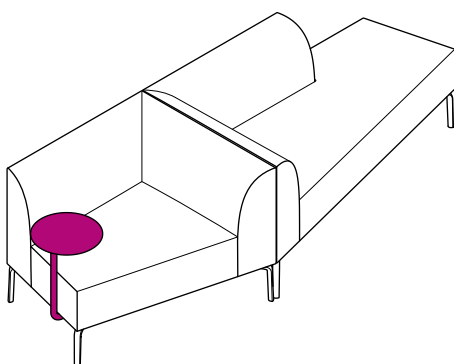
N. 2 AS1DL

L: 1600
P: 800
HT: 670
HS: 390
HB: 670



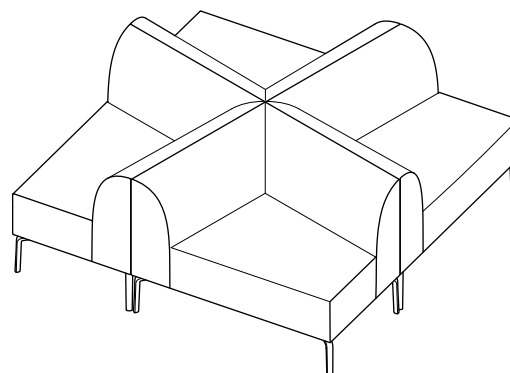
AS1DL + AS2DL + ATR

L: 1600
P: 1300
HT: 670
HS: 390
HB: 670
Ø: 320



AS1SL + AS2DL + ATR

L: 2100
P: 965
HT: 670
HS: 390
HB: 670
Ø: 320



N. 4 AS1DB

L: 1555
P: 1555
HT: 670
HS: 390
HB: 670

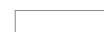
**FINITURE TAVOLINI
TABLES FINISHES**



RAL 9016
Laminato HPL
HPL laminate



RAL 7024
Laminato HPL
HPL laminate



RAL 9016
Alluminio
Aluminium



Alluminio lucido
Polished
Aluminium

CERTIFICAZIONI CERTIFICATIONS

EN 16139 | EN 1022 | EN 1728

Tested by CATAS - Omologazione Ministeriale in Classe 1IM